

Fisher & Paykel
appliances

customer **care**[™]

Parts Manual Dishwasher

Model:
DW60CDX2 FP NZ/AU

Product Code:
80544-A



care

80544-A

PRODUCT

Brand Fisher & Paykel
Voltage 220-240V, 50Hz
Model DW60CDX 2 FP NZ/AU
Product Code 80544-A

Fisher & Paykel Appliances Ltd
PO Box 58-732, Greenmount
78 Springs Rd
East Tamaki
New Zealand
Telephone: (09) 2730660
Facsimile: (09) 2730580
E-mail: customer.care@fp.co.nz

Fisher & Paykel Customer Services Pty Ltd
PO Box 798, Cleveland, QLD 4163
A.C.N. 003 3335 171
19 Enterprise Street
Cleveland, QLD 4163
Australia
Telephone: (07) 3826 9100
Facsimile: (07) 3826 9164
E-mail: customer.care@fp.com.au

CONTENTS

CHASSIS & TUB ASSEMBLY	6
BASKETS	8
SPRAY ARM ASSEMBLY	10
DOOR.....	14

GUIDE TO USING THIS MANUAL

The model covered by this manual is listed on the front cover.

The information detailed in this manual is subject to change without notice. The latest version is indicated by the reprint date and replaces any earlier editions.

The front cover picture shows the type of product and may not necessarily be an exact image of the model covered by the manual.

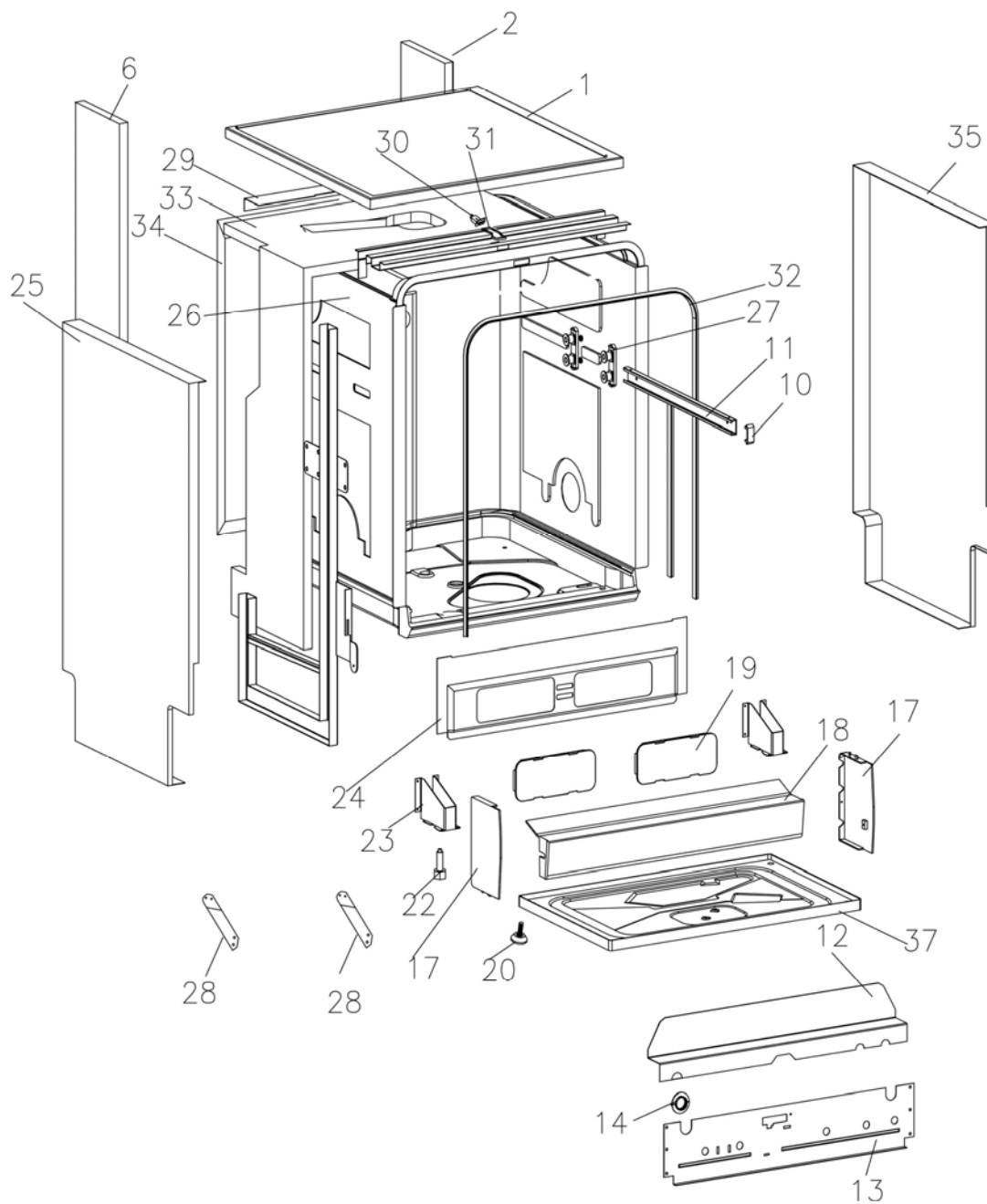
Kit Parts

Kit components are shown in *italics*. Where a part number is shown against the descriptions for these kit components, they are also available as separate items. In addition, some parts may be supplied with these kits that are not available as separate items, and are therefore either not listed, or a part number is not shown against the part description in this manual.

Parts List Key

<i>italics</i>	Kit components or parts included are shown in <i>italics</i> . Refer to above notes: Kit Parts.
NI	As a part reference, indicates the part is not illustrated on the diagram.
NOT USED	As a part number, indicates the diagram part reference is not used in this manual.

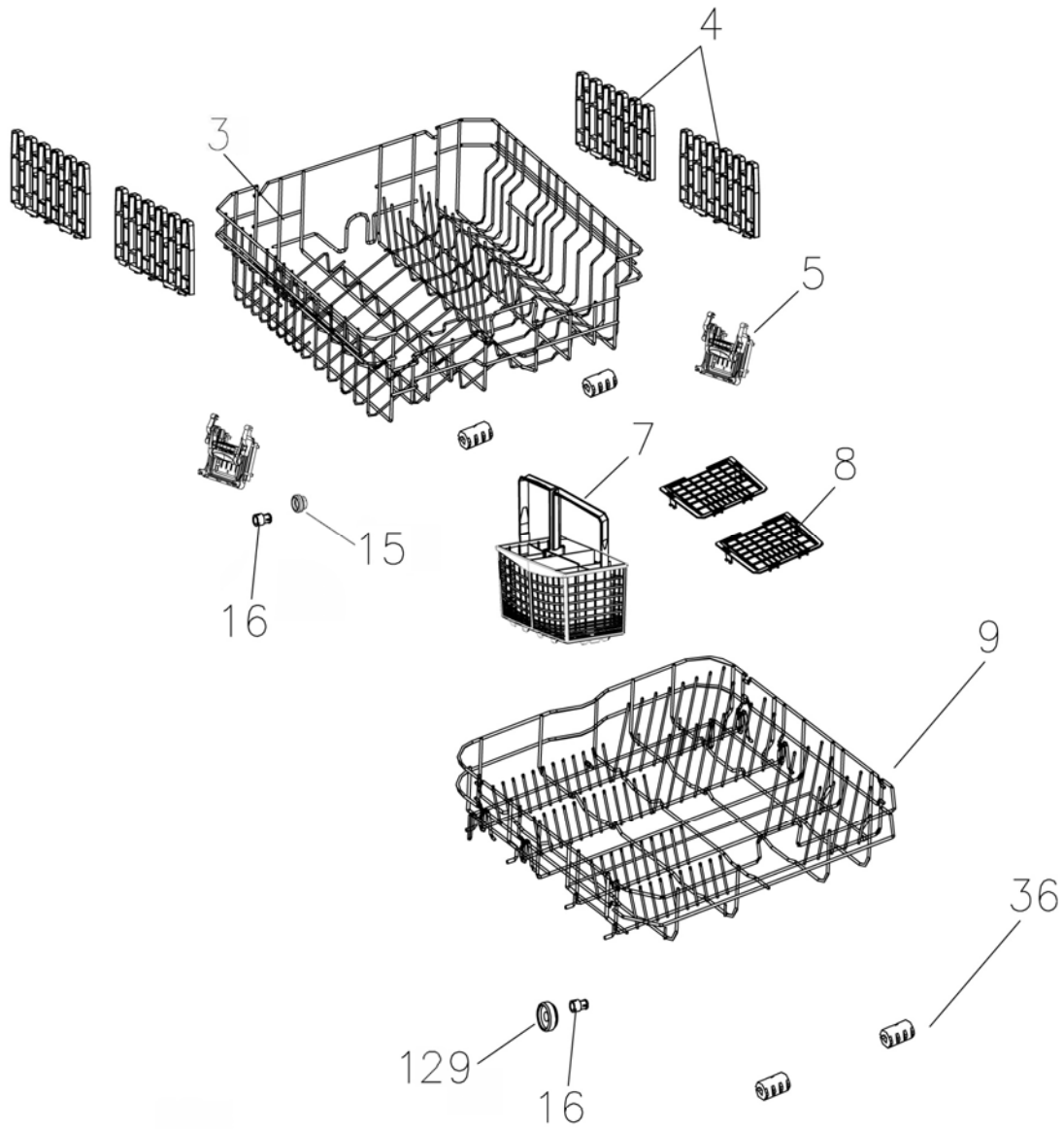
CHASSIS & TUB ASSEMBLY



CHASSIS & TUB ASSEMBLY

REF	PART	DESCRIPTION
1	791156	TOP PANEL SS
2	791303	INSULATION RIGHT
6	791305	INSULATION LEFT
10	791013	RAIL END CAP GREY
11	791014	RAIL
12	791028	BRACKET MIDDLE REAR
13	791030	BRACKET LOWER REAR AQUASTOP
14	791029	DRAIN HOSE GROMMET
17	791168	END CAP RIGHT BASE SS
	791173	END CAP LEFT BASE SS
18	791170	FRONT BASE PANEL SS
19	791024	SERVICE PANEL COVER
20	791032	ADJUSTABLE FOOT REAR
22	791027	ADJUSTABLE FOOT FRONT
23	791026	FRONT FOOT LEVELING BRACKET
24	791025	SERVICE PANEL
25	791175	DECORATIVE SIDE PANEL LH SS
26	NS	NOT AVAILABLE AS A SPARE PART
27	791016	TUB ROLLERS GREY
28	791047	REAR GUSSET LH
	791048	REAR GUSSET RH
29	791177	UPPER REAR PANEL
30	791722	KIT FIELD FIX DOOR LATCH DW60
31	791179	LATCH TONGUE
32	791011	TUB GASKET
33	791306	INSULATION
34	791307	BACK PANEL
35	791158	DECORATIVE SIDE PANEL RH SS
37	791031	BASE PANEL

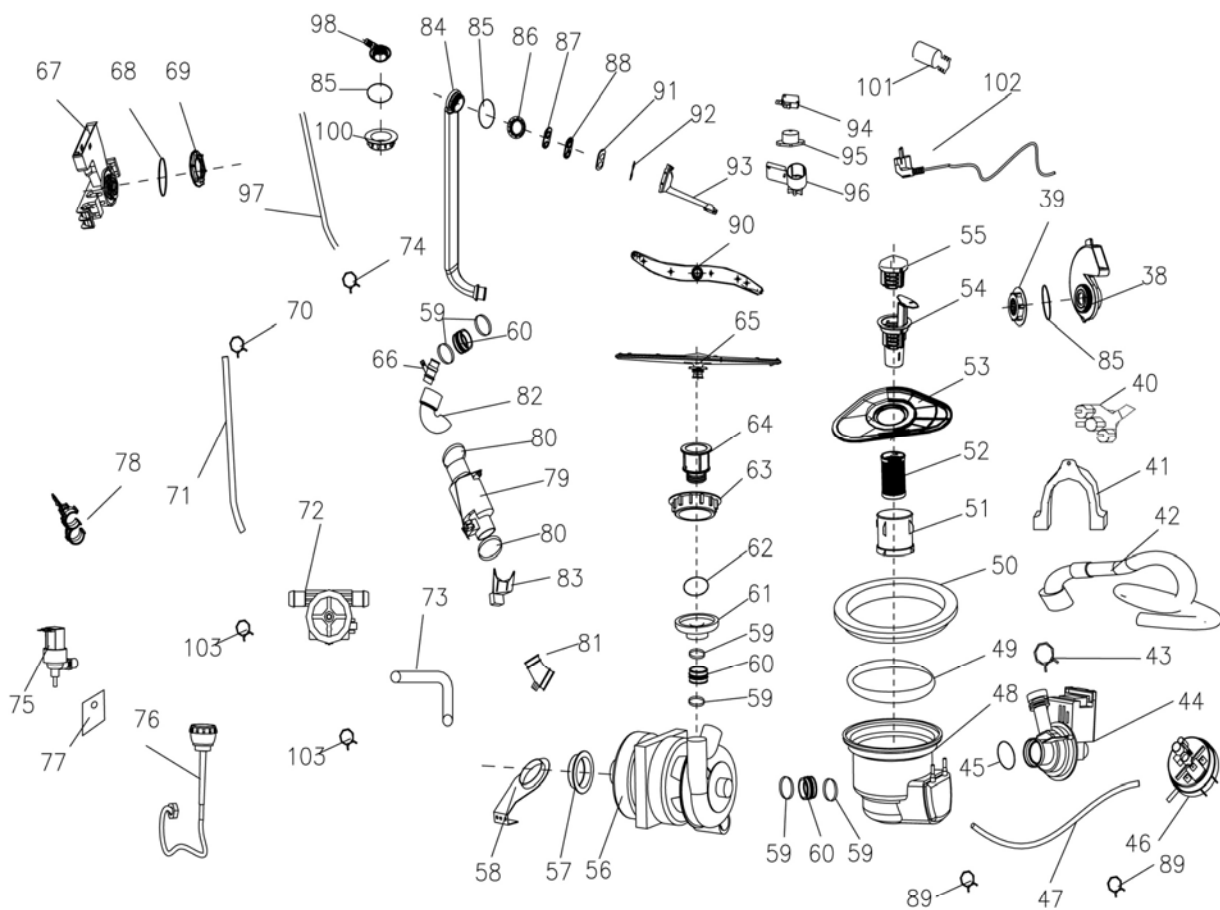
BASKETS



BASKETS

REF	PART	DESCRIPTION
3	791314	UPPER BASKET
4	791160	FOLD DOWN
5	791304	BASKET HEIGHT ADJUSTER
7	791319	CUTLERY BASKET GREY
8	791171	INSERT CUTLERY BASKET
9	791164	LOWER BASKET
15	791161	ROLLER SMALL BASKET
16	791162	AXLE STUB
36	791302	BUMPER
129	H0120200964	ROLLER LOWER BASKET

SPRAY ARM ASSEMBLY

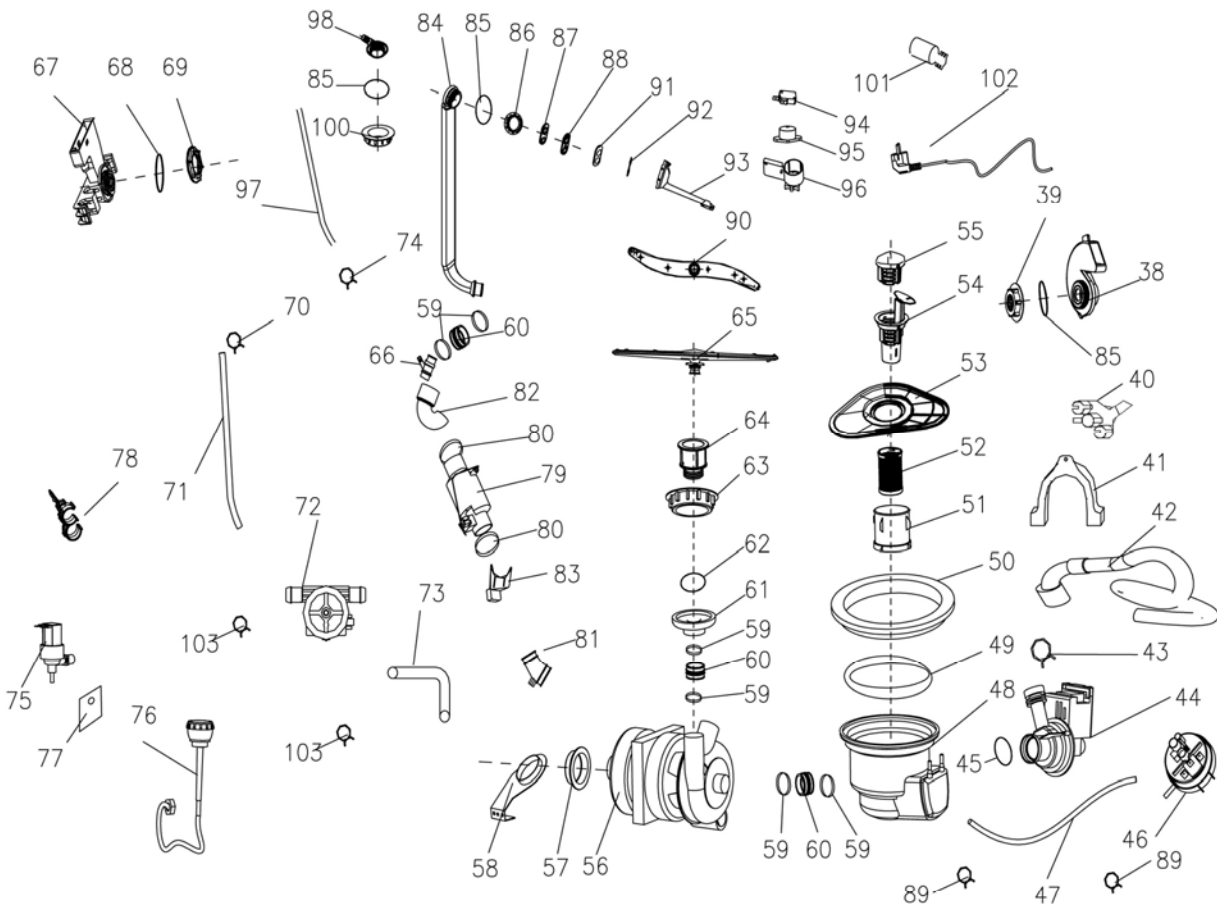


SPRAY ARM ASSEMBLY

REF	PART	DESCRIPTION
38	791065	AIR VENT
39	791067	AIR VENT CAP GREY
40	791221	TEMPERATURE SENSOR ASSY
NI	521815	HEAT TRNSFR COMPOUND UNIC 10GM
41	420667P	GUIDE DRAIN HOSE PKD
42	791075	DRAIN HOSE
43	791073	HOSE CLAMP
44	791071	DRAIN PUMP
	<i>Includes</i>	<i>FLAP VALVE</i>
45	791072	O-RING DRAIN PUMP
46	791184	WATER PRESSURE SWITCH
47	791077	PRESSURE SWITCH TUBE
48	791185	SUMP ASSEMBLY
49	791186	SUMP GASKET
50	791088	RING NUT SUMP GREY
51	791089	MICROFILTER
52	791090	INNER FILTER SCREEN
53	791091	FILTER PLATE
54	791093	STRAINER GREY
55	791187	STRAINER 412/512
56	791697	WASH PUMP ASSEMBLY DW60
	<i>Includes 791318</i>	<i>MOTOR CAPACITOR</i>
57	791115	WASH PUMP VIBRATION RING
58	791116	WASH PUMP BRACKET
59	791097	HOSE CLAMP (20-32)
60	791096	WASH PUMP HOSE
61	791098	LOWER SPRAY ARM BASE FIXING
62	791099	O-RING
63	791101	LOWER SPRAYER RING NUT GREY
64	791103	BEARING LOWER SPRAY ARM BASE GREY
65	791106	LOWER SPRAY ARM
66	791163	FEED PIPE TOP SPRAY ARM
67	791189	VENT
68	791110	O-RING FILL VENT
69	791190	AIR VENT CAP
70	791081	HOSE CLAMP
71	791192	HOSE FLOW METER OUT
72	791193	FLOW METER
73	791194	FILL HOSE
74	791081	HOSE CLAMP
75	791062	SOLENOID VALVE
76	791063	INLET HOSE (1.55M)
	529855P	HOSE INLET ASSY WIRSBO COLD (1.9M)

Continued next page...

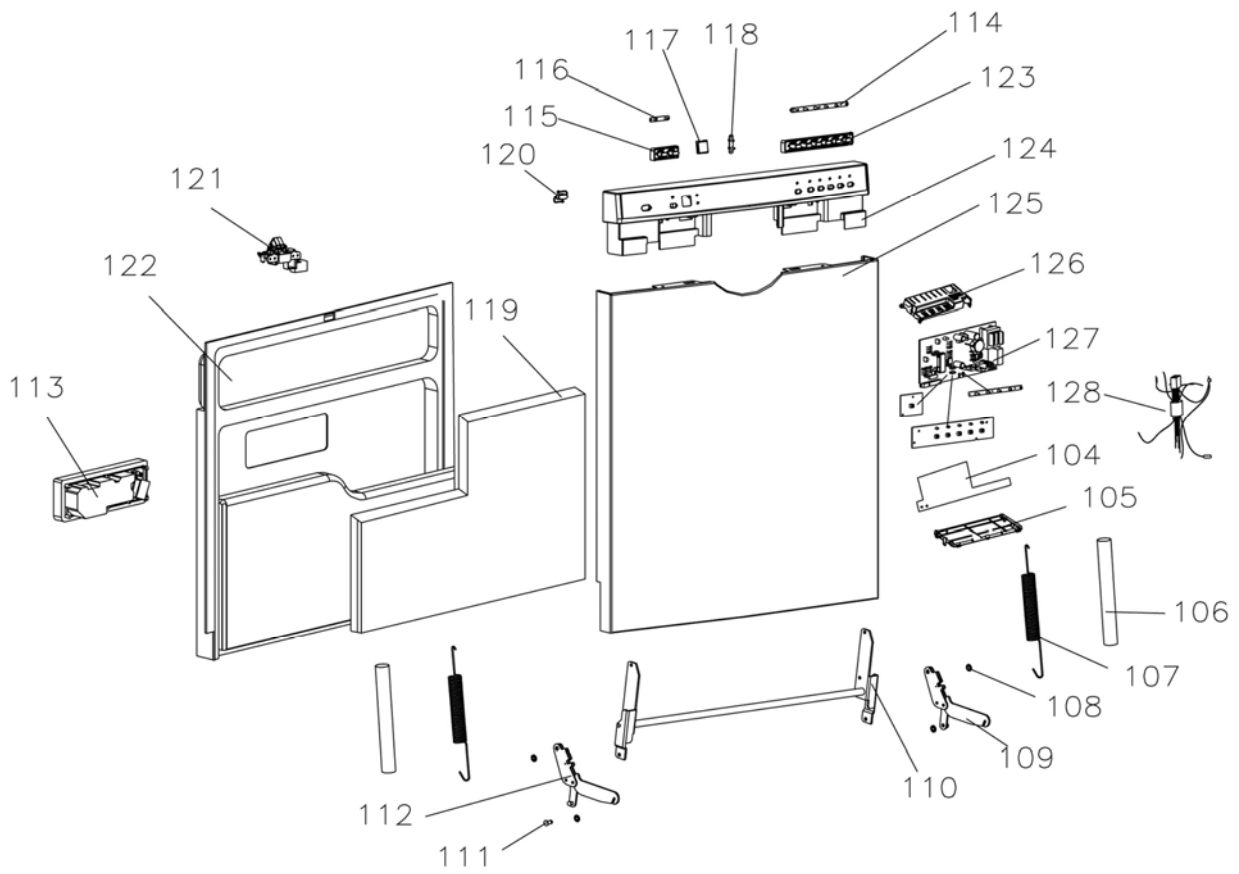
SPRAY ARM ASSEMBLY



SPRAY ARM ASSEMBLY

REF	PART	DESCRIPTION
77	791117	VELUM SOLENOID VALVE
78	791195	HOSE SUPPORT
79	791196	ELEMENT
80	791197	HOSE CLAMP (32-50)
81	791198	ELEMENT INLET HOSE
82	791199	ELEMENT OUTLET HOSE
83	791200	ELEMENT SUPPORT
84	791201	TOP SPRAY ARM TUBE
85	791050	O-RING
86	791052	NUT UPPER SPRAYER GREY
87	791054	COVER TOP TRANSITION GREY
88	791055	SEAL TUBE PLUMBING TOP SPRAY ARM
89	791078	HOSE CLAMP TUBE PRESSURE SWITCH
90	791058	SPRAY ARM UPPER GREY
91	791056	FLAT VALVE HOUSING
92	791118	FLAP VALVE UPPER SPRAY ARM
93	791095	TOP TRANSITION GREY
94	791061	MICROSWITCH
95	791060	FLOAT FLOOD SWITCH
96	791059	FLOAT SWITCH BRACKET
97	791309	HOSE 3RD SPRAYER
98	791310	CONNECTION FOR 3 RD SPRAYER
100	791311	3 RD SPRAYER
101	791120	RFI CAPACITOR
102	791181	FLEX ASSY MAINS
103	791233	HOSE CLAMP

DOOR



DWG001345

DOOR

REF	PART	DESCRIPTION
104	791216	VELUM PCB BOARD
105	791217	PCB BOARD BOTTOM COVER
106	791218	DOOR SPRING COVER
107	791143	DOOR SPRING
108	791145	O-RING HINGE
109	791141	HINGE RH
110	791140	HINGE CROSSBRACE ASSEMBLY
111	791146	HINGE PIN
112	791142	HINGE LH
113	791234	DETERGENT DISPENSER GREY
114	791219	WASH PROGRAM INDICATOR LENS
115	791235	RESET / DELAY BUTTON
116	791227	RESET / DELAY INDICATOR LENS
117	791228	TIME REMAINING LENSE
118	791229	RINSE AID / HEATER INDICATOR LENS
119	791300	SOUND DEADENING BLANKET
120	791316	ON/OFF BUTTON SS
121	791722	KIT FIELD FIX DOOR LATCH DW60
122	791206	INNER DOOR ASSEMBLY
123	791208	WASH PROGRAM BUTTON SS
124	791224	CONTROL PANEL MOUNTING 512 SS
125	791212	OUTER DOOR PANEL SS
126	791213	PCB TOP COVER
127	791243	PCB BOARD DW60CD 4STAR
128	791236	WIRING LOOM
NI	599350	USER GUIDE HAIER DW F&P BRAND